

USER AND INSTALLATION INSTRUCTIONS

Please read these instructions before installation and use.

Keep this booklet handy for future reference.

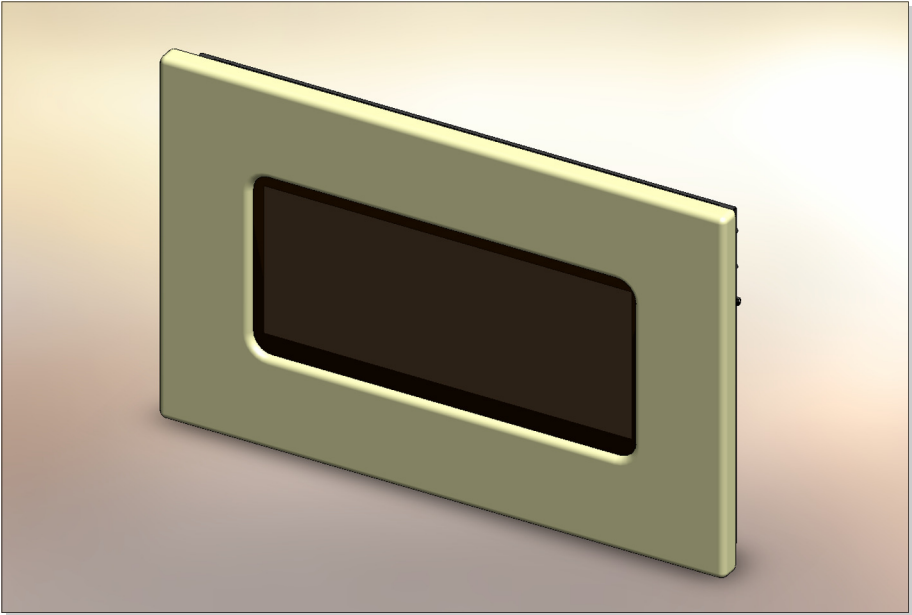
**This appliance should only be installed by
an appropriately qualified person.**

NE



NEWDAWN ELECTRIC

[Blank]



USER GUIDE

Please read these instructions before installation and use.
Keep this booklet handy for future reference.



WARNING

This appliance should only be installed by an appropriately qualified person.

CONTENTS

- 3 USER GUIDE
- 4 WARNINGS AND SAFETY INFORMATION
- 5 CONTROLS
- 6 GUARANTEE
- 7 INSTALLATION AND SERVICING INSTRUCTIONS

The Brilliant Newdawn Electric meets the requirements of the EC Directives 2004/108/EC and 2006/95/EC. These directives have been met by compliance with the following standards:

BS EN 60335-1:2002

BS EN 60335-2-30:2003

BS EN 6100-6-3:2001

Please read these instructions before installation or use and keep this booklet handy for future reference.

SAFETY

This appliance is not intended for use by persons (including children) with reduced physical, sensory or mental capabilities, or lack of experience and knowledge, unless they have been given supervision or instruction concerning the use of the appliance by a person responsible for their safety.

Children should be supervised to ensure they do not play with the appliance.

GENERAL WARNINGS

Never leave children unsupervised with an unguarded heater.

Never obstruct or cover the heater outlet.

Never install or use the heater where it may come in contact with water.

Never use aerosols or steam cleaners near the heater.

Never route the electric cable near the heater outlet.

Never route the electric cable under carpet

Never install the heater close to curtains or combustible materials.

Never use the heater to dry clothes or other objects.

Never remove the fireplace surround without isolating the electric supply.

IMPORTANT ELECTRICAL SAFETY


This appliance must never be installed above or in front of a fixed electric socket. The electric socket must be easily accessible to isolate the supply

during maintenance and cleaning.

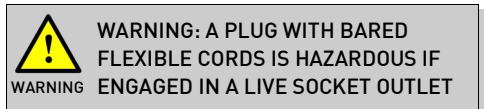
This appliance is supplied with a two metre power lead, which has a moulded three pin socket to connect to the appliance power inlet plug and a moulded three pin 13 amp-fused plug to connect to your electric wall socket. This appliance must always be earthed. If in any doubt consult a suitably competent person.

The electric supply must be safely routed from the appliance to an electric wall socket. If the electric cable is damaged it must be replaced by a genuine Brilliant part. All external wiring to the heater must comply with IEE regulations.

THE PLUG ON THE SUPPLY CORD IS NOT WATERPROOF - KEEP DRY

The supply cord to this appliance is fitted with a moulded plug incorporating a 13A fuse. Should the fuse need to be replaced an ASTA approved BS1362 fuse must be used of the same rating, marked thus . If the fuse cover is detachable, never use the plug with the cover omitted. Replacement supply cords are available from Brilliant fires at the address on the rear cover of this instruction booklet.

If the plug supplied is not suitable for your socket outlet or fused spur, it should be cut off and destroyed.




The end of the flexible cord should be suitably prepared and either connected to a fused spur or the correct plug fitted (See below).

Important: The wires in the supply cord for this appliance are coloured in accordance with the following code:

- Green & Yellow = Earth
- Blue = Neutral
- Brown = Live

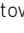
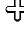
As these colours may not correspond with the coloured markings identifying the terminals in your plug or fused spur, proceed as follows:

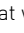

The wire which is coloured Green & Yellow must be connected to the terminal which is marked with the letter E or the by the earth symbol  or coloured Green or Green & Yellow.

The wire which is coloured Blue must be connected to the terminal which is marked with the letter N or coloured Blue or Black.

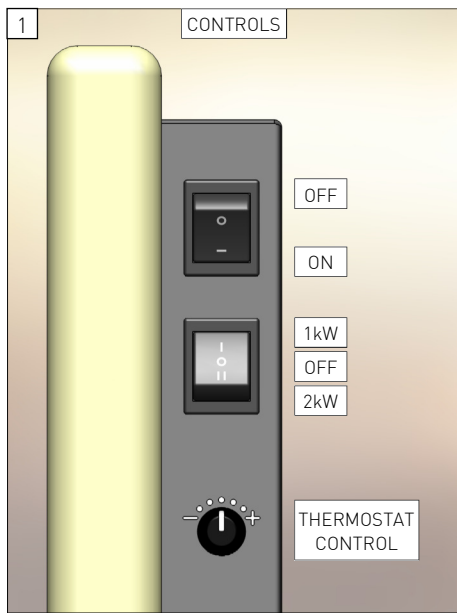
The wire which is coloured Brown must be connected to the terminal which is marked with the letter L or coloured Brown or Red.

CONTROLS

The controls are located on the right edge of the appliance. The top control is the on/off switch; switching it down turns the flame effect on and can be used independently of the fan heater. The middle control is the heater switch; it is off in the mid position. Switch up for 1kW and down for 2kW. The bottom control is the thermostat. Turn the control knob towards the  to set a lower room temperature and towards the  to set a higher room temperature.


The thermostat controls the heat output to maintain a constant room temperature and ensure that heat is not used excessively. Start by setting the thermostat on full and when the room has reached the desired level turn the knob slowly towards the  until the thermostat just “clicks” off. The thermostat will maintain the room temperature at the selected setting. To increase the room temperature, turn the knob towards the .

NOTE: If the room temperature is higher than the thermostat setting the fan heater will remain off until the temperature of the room cools.




THERMAL CUT-OUT

In case of overheating the heater will automatically turn off. To reset the thermal cut-out, the appliance must be turned off at the on/off switch and allowed to cool for 10 minutes. Ensure that the grill on the underside of the appliance is not obstructed before turning the appliance back on. Seek expert advice if the problem persists.



WARNING

In order to avoid a hazard due to inadvertent resetting of the thermal cut-out, this appliance must not be supplied through an external switching device, such as a timer, or connected to a circuit that is regularly switched on and off by the utility.



WARNING

In order to avoid overheating, do not cover the heater.

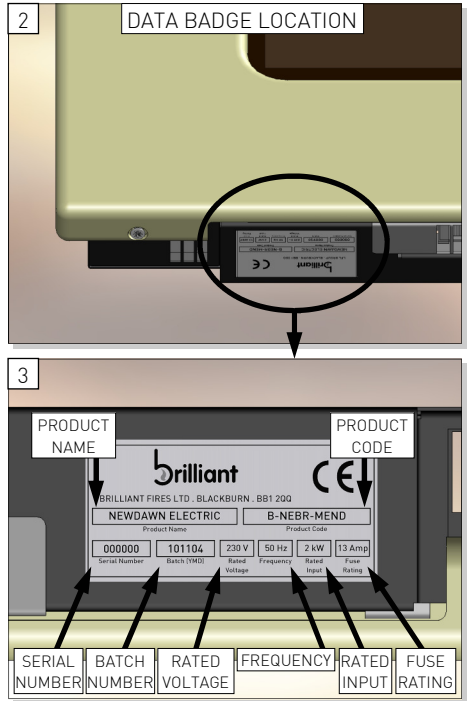
GUARANTEE

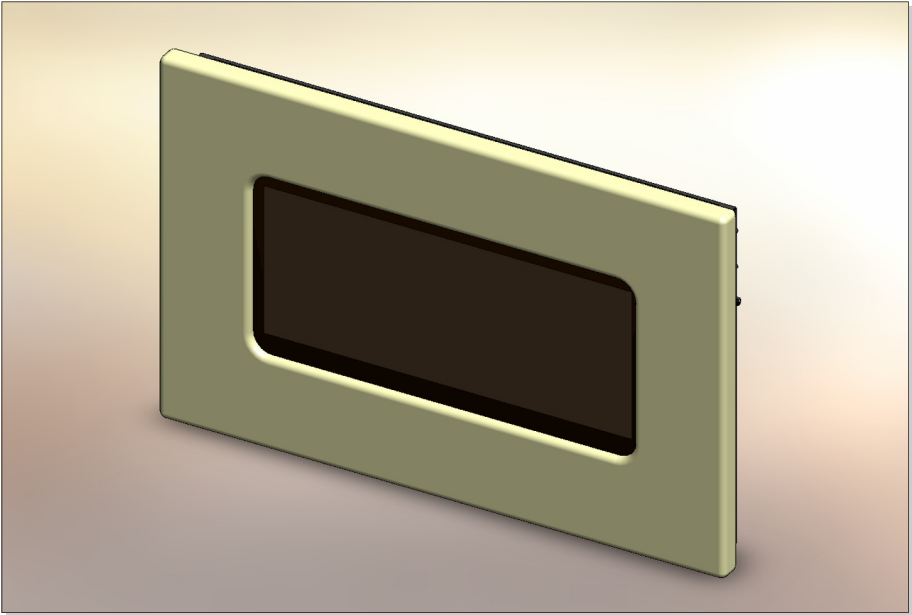
Brilliant Newdawn Electric is manufactured in England and is guaranteed for 12 months from the date of purchase against faulty materials or workmanship. Please report any fault to your dealer.

If your appliance is found to be defective within the guarantee period we will repair or replace the faulty component. Should a component or the appliance need to be returned to our works it must be sent carriage paid. Labour charges are not included.

The guarantee is subject to the provisions that the appliance has been correctly installed and used in accordance with the manufacturers instructions and has not been misused, modified or inexpertly repaired.

This guarantee does not cover reimbursement of any third party repair or replacement costs that we haven't agreed in writing, nor does it cover compensation or consequential losses, stress and inconvenience arising from delays caused by factors outside our reasonable control. Your statutory rights are not affected.





INSTALLATION AND SERVICING INSTRUCTIONS

Please read these instructions before installation.
Give this booklet to the user for future reference.



WARNING

This appliance should only be
installed by an appropriately
qualified person.

CONTENTS

- 7 INSTALLATION AND SERVICING INSTRUCTIONS
- 8 WARNINGS AND SAFETY INFORMATION
- 9 SITING THE APPLIANCE AND INSTALLATION
- 11 FAULT FINDING
- 12 SERVICING
- 14 WIRING DIAGRAM

The Brilliant Newdawn Electric meets the requirements of the EC Directives 2004/108/EC and 2006/95/EC. These directives have been met by compliance with the following standards:

BS EN 60335-1:2002

BS EN 60335-2-30:2003

BS EN 6100-6-3:2001

Please read these instructions before installation or use and keep this booklet handy for future reference.

SAFETY

This appliance is not intended for use by persons (including children) with reduced physical, sensory or mental capabilities, or lack of experience and knowledge, unless they have been given supervision or instruction concerning the use of the appliance by a person responsible for their safety.

Children should be supervised to ensure they do not play with the appliance.

GENERAL WARNINGS

Never leave children unsupervised with an unguarded heater.

Never obstruct or cover the heater outlet.

Never install or use the heater where it may come in contact with water.

Never use aerosols or steam cleaners near the heater.

Never route the electric cable near the heater outlet.

Never route the electric cable under carpet

Never install the heater close to curtains or combustible materials.

Never use the heater to dry clothes or other objects.

Never remove the fireplace surround without isolating the electric supply.

IMPORTANT ELECTRICAL SAFETY


This appliance must never be installed above or in front of a fixed electric socket. The electric socket must be easily accessible to isolate the supply

during maintenance and cleaning.

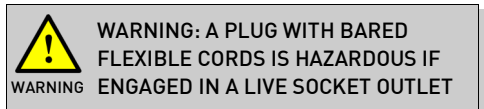
This appliance is supplied with a two metre power lead, which has a moulded three pin socket to connect to the appliance power inlet plug and a moulded three pin 13 amp-fused plug to connect to your electric wall socket. This appliance must always be earthed. If in any doubt consult a suitably competent person.

The electric supply must be safely routed from the appliance to an electric wall socket. If the electric cable is damaged it must be replaced by a genuine Brilliant part. All external wiring to the heater must comply with IEE regulations.

THE PLUG ON THE SUPPLY CORD IS NOT WATERPROOF - KEEP DRY

The supply cord to this appliance is fitted with a moulded plug incorporating a 13A fuse. Should the fuse need to be replaced an ASTA approved BS1362 fuse must be used of the same rating, marked thus . If the fuse cover is detachable, never use the plug with the cover omitted. Replacement supply cords are available from Brilliant fires at the address on the rear cover of this instruction booklet.

If the plug supplied is not suitable for your socket outlet or fused spur, it should be cut off and destroyed.




The end of the flexible cord should be suitably prepared and either connected to a fused spur or the correct plug fitted (See below).

Important: The wires in the supply cord for this appliance are coloured in accordance with the following code:

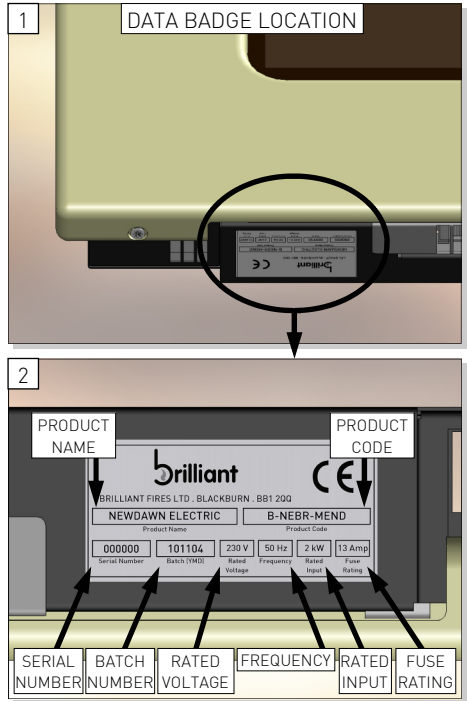
- Green & Yellow = Earth
- Blue = Neutral
- Brown = Live

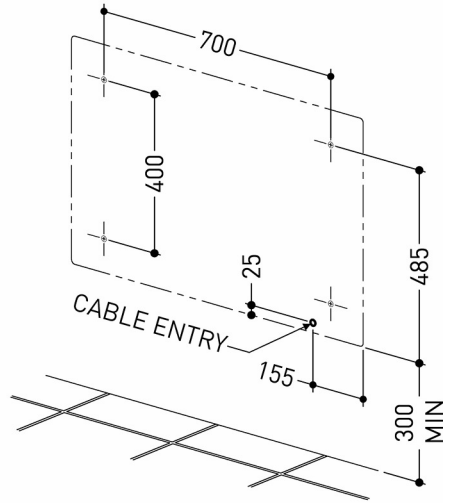
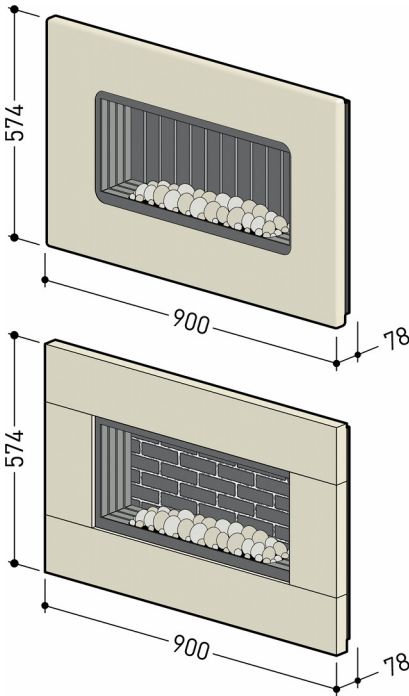
As these colours may not correspond with the coloured markings identifying the terminals in your plug or fused spur, proceed as follows:

The wire which is coloured Green & Yellow must be connected to the terminal which is marked with the letter E or the by the earth symbol  or coloured Green or Green & Yellow.

The wire which is coloured Blue must be connected to the terminal which is marked with the letter N or coloured Blue or Black.

The wire which is coloured Brown must be connected to the terminal which is marked with the letter L or coloured Brown or Red.





SITING THE APPLIANCE

This appliance may be fixed to any suitable flat vertical non-conductive surface and does not require a cut out in the wall. The appliance must be positioned at least 100mm above any skirting board and 300mm above any surface beneath the fire. There must be at least 25mm clearance between the top of the surround and any object such as a shelf or wall mounted TV. This is to allow easy removal of the fireplace surround during maintenance. The electric supply may be concealed or surface mounted.

INSTALLATION

Newdown Electric is supplied fully assembled.
DO NOT REMOVE THE GLASS PANEL.

Remove the two screws from the bottom of the fire surround. Remove the fire surround by pulling out at the bottom and lifting upwards.

The fixing kit and the power supply lead are tied in place at the bottom right of the wall plate. Remove these before commencing fitting.


When drilling holes for the wall plugs use a 7mm drill for hollow substrates and use a 8mm drill for solid or combination substrates.

Using the diagram above mark the positions of the top keyhole fixings on the wall, drill two holes, insert wall plugs (supplied) and fix two screws (supplied). Tighten the screws to within 3mm from the wall surface. Carefully hang the appliance on the two screws.


If you have decided to conceal the electrical supply, mark the cable entry point on the wall, remove the appliance and carry out the necessary work to create the concealed electrical supply. Carefully re-hang the appliance on the two

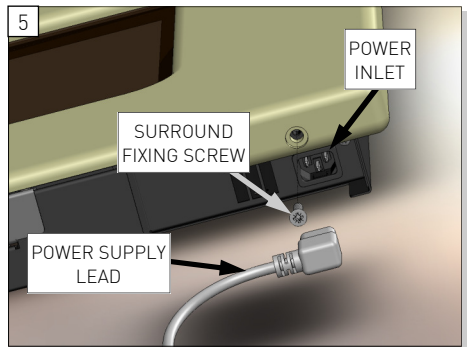
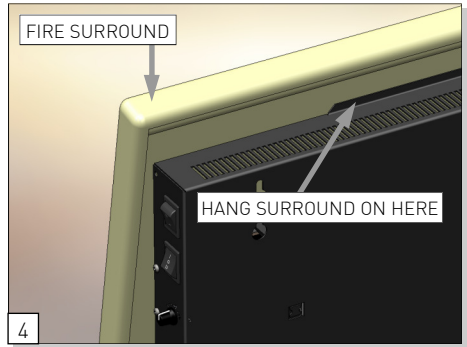
screws. The alternative method of electrical supply is to surface mount the lead and route it to a nearby power socket.

Using a spirit level, check the appliance is level. Fine adjustments can be made to correct the level before tightening the two screws. Drill two holes for wall plugs through the left and right fixing holes at the bottom of the appliance. Insert and tap into position the two remaining wall plugs and fix with the two remaining screws.

 **! RISK OF ELECTRIC SHOCK !**
DO NOT connect the electricity supply until the fireplace surround has been fixed in place.

Hang the fireplace surround at the top of the appliance wall plate and fix with two screws through the holes at the bottom left and right on the underside edge of the fireplace surround. Connect the power socket into the power inlet plug at the bottom right of the appliance. You can now connect the power cable to the electricity supply.

 **! RISK OF ELECTRIC SHOCK !**
In order to avoid a hazard due to inadvertent resetting of the thermal cut-out, this appliance must not be supplied through an external switching device, such as a timer, or connected to a circuit that is regularly switched on and off by the utility.



FAULT FINDING



WARNING

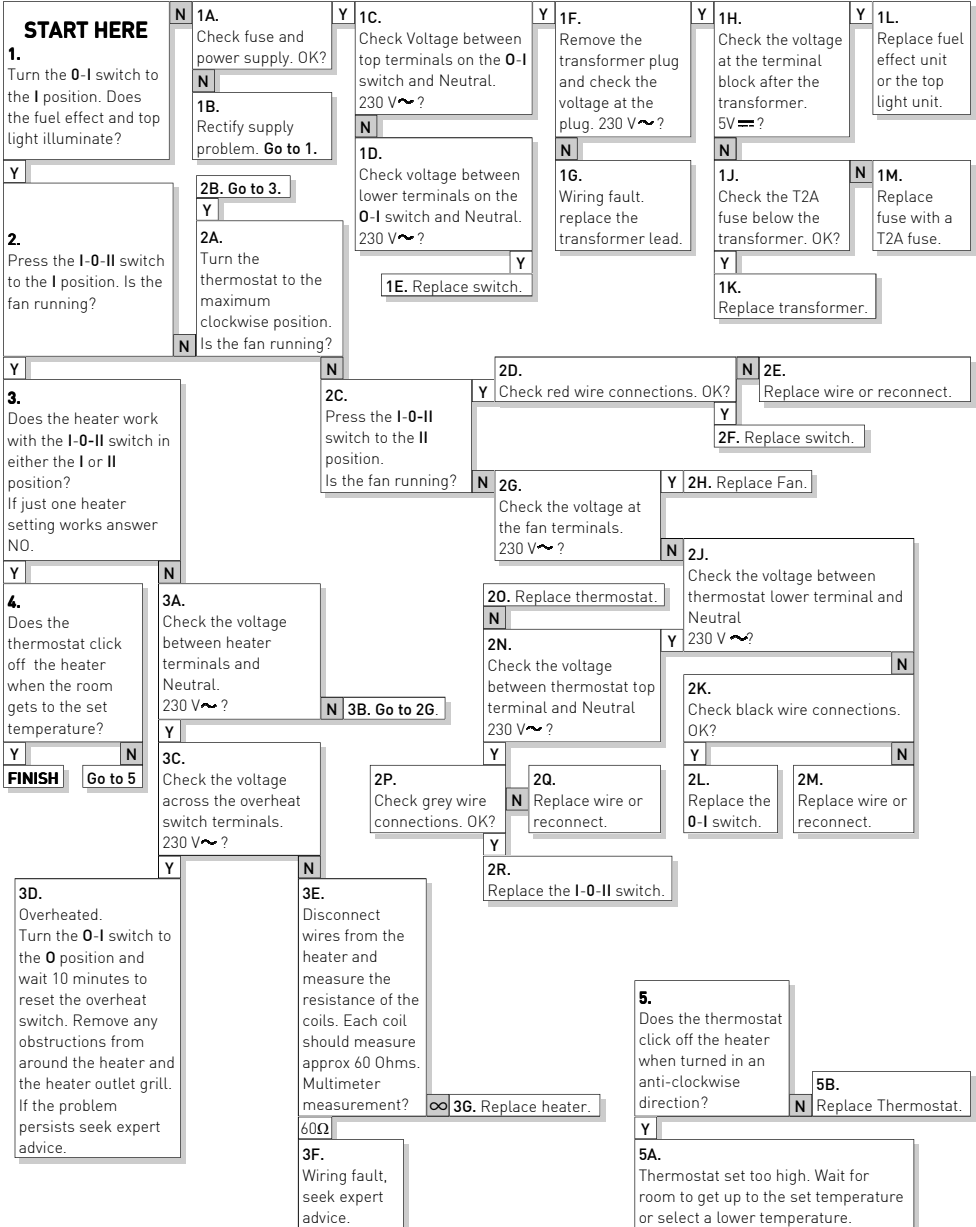
! RISK OF ELECTRIC SHOCK !

DO NOT remove the cover of this appliance unless the electricity supply has been disconnected.



ATTENTION

Please check there is power at the wall socket by plugging in a known working appliance prior to starting fault diagnosis.



SERVICING



! RISK OF ELECTRIC SHOCK !
DO NOT remove the cover of this appliance unless the electricity supply has been disconnected.

TO REPLACE THE HEATER ELEMENT OR FAN

The fan and the heater element are fixed together so must be removed as an assembly before separating the 2 components.

Remove the Corian surround by removing the 2 screws on the bottom face of the surround. Lift the surround off and put in a safe place to avoid damage.

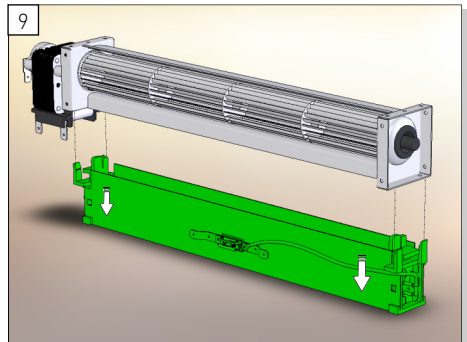
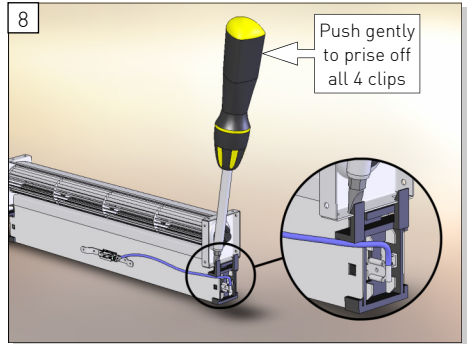
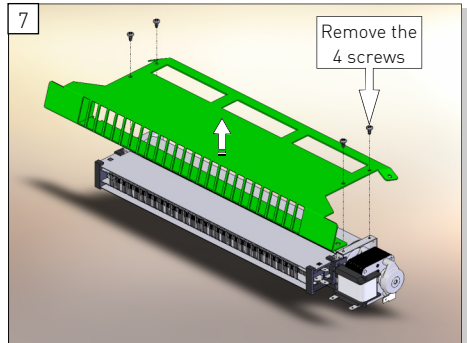
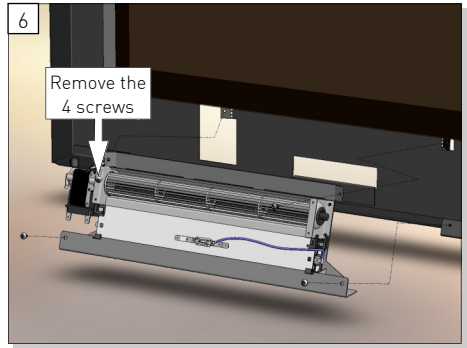
Make a note of where the wires are connected on the fan and heater terminals prior to disconnecting them.

Remove the 4 screws that fix the fan / heater assembly to the wall plate. Support the fan assembly whilst doing this to prevent it from falling out.

Place the fan unit face down on a flat hard surface as shown in the diagram. This is to prevent the fan impellor from being damaged. Remove the 4 screws that fix the fan to the bracket. The fan / heater unit can now be removed from the fixing bracket.

Using a screwdriver, prise the 4 plastic clips away from the fan as shown in the diagram. It is best to release both clips from one end first before starting on the other end. Once all the clips are released the heater unit can be removed from the fan.

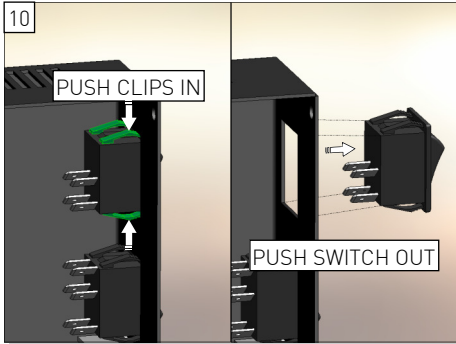
Replace the faulty component with a new one. Re-fit the heater unit aligning it as shown in the diagram. Ensure the clips are fully engaged on the fan body. Re-assembly is the reverse of removal.



TO REPLACE THE ON/OFF OR HIGH/LOW SWITCH

First remove all the wires from the terminals on the rear of the defective switch making a note of their positions for re-assembly.

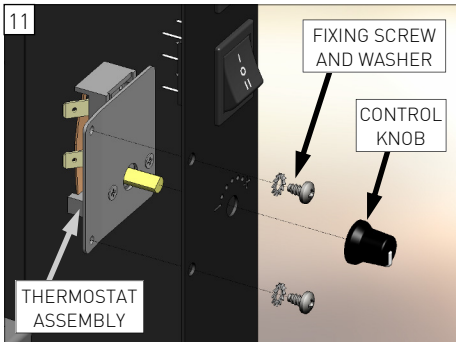
The switches are held in place by built in plastic clips located on the sides of the switch body. To remove the switch the clip must be compressed before pushing the switch out. Note the orientation of the switch before removing



Fit the new switch in the correct orientation by pushing it into the hole until it snaps into place. Connect the wires to the terminals as noted prior to disassembly.

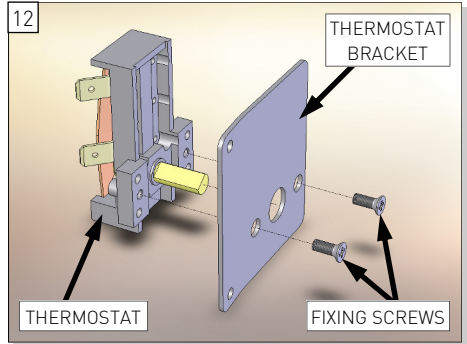
TO REPLACE THE THERMOSTAT

First remove all the wires from the terminals on the rear of the defective thermostat making a note of their positions for re-assembly. Turn the control knob fully anti-clockwise so the indicator is pointing straight down. Prise the control knob off



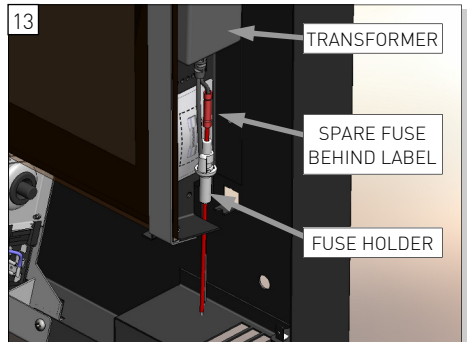
the spindle of the thermostat using a flat tool under the base of the knob. Remove the 2 self tapping screws and washers. The thermostat assembly can now be removed.

Now remove the 2 fixing screws from the thermostat assembly to release the thermostat from the bracket. The thermostat is a delicate component that must be handled with care. Fit the new thermostat in the reverse order to removal.

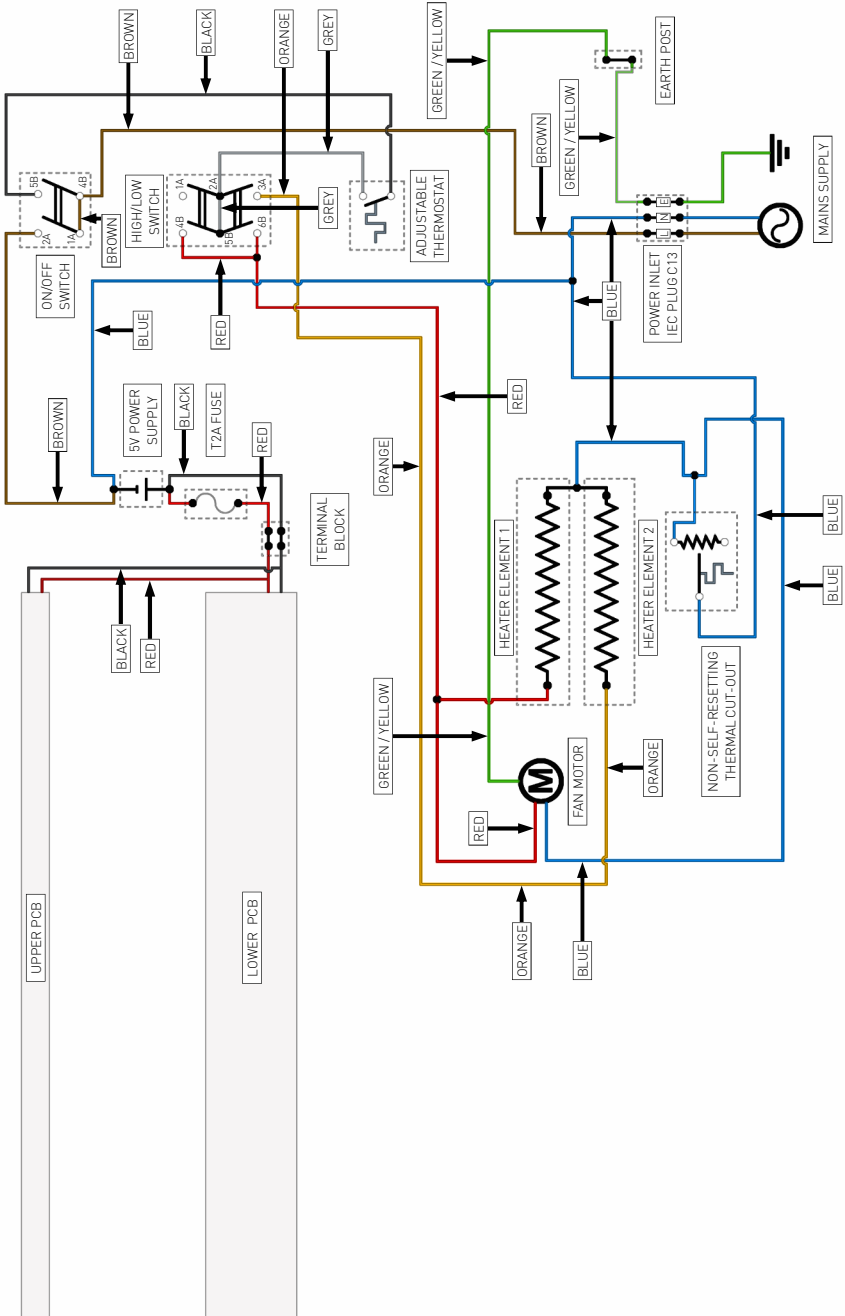


TO REPLACE THE FLAME EFFECT FUSE

The fuse is located in a white fuse holder on the right side of the flame effect unit. To remove the fuse from the holder, press the top downwards against the spring then twist ¼ turn anticlockwise and release. The fuse can now be removed and checked. A spare fuse is provided underneath the sticker marked **SPARE FUSE T2A FOR FLAME EFFECT**. If using a fuse from a different supplier, it **MUST** be identical to the one removed i.e. **T2A (Time delay 2A fuse)**.



WIRING DIAGRAM





Brilliant Fires Limited
Thwaites Close
Blackburn BB1 2QQ
England

tel +44 (0)1254 682384
fax +44 (0)1254 672647

www.brilliantfires.co.uk
info@brilliantfires.co.uk